



cp150

READY-TO-USE

Nethix wall-mounted switchboard is designed for those, who need a ready-to-use solution, where cable connections and device positioning are already prepared.

The wall-mounted switchboard by Nethix contains a WE151/WE152 controller, a PS150 power supply unit and a differential switch, already mounted and interconnected.

The installation has never been easier: the installer just needs to set the connections to the devices to be controlled and to the electrical supply network and then start using the kit.

WE151 | WE152 - TECHNICAL SPECIFICATIONS

Power supply	9-32 VDC
Inputs	2 Analog inputs 0-5 VDC 0-10 VDC 0-20 mA 4-20 mA NTC 4 Digital inputs (dry contact) Mode: Counter On/Off Hour meter Flow meter
Outputs	2 Relays outputs (1 A 230 VAC / 30 VDC)
Port	USB Type-C (only for configuration)
Consumption	average 500 mA, peak 2 A
Connectivities	WE151 - Integrated Modem LTE LTE (2600-2100-1800-900-850-800 MHz) GSM (900-1800 MHz) WE152 - Integrated Modulo Wi-Fi WiFi: 2.4 GHz (b/g/n)

PS150 - TECHNICAL SPECIFICATIONS

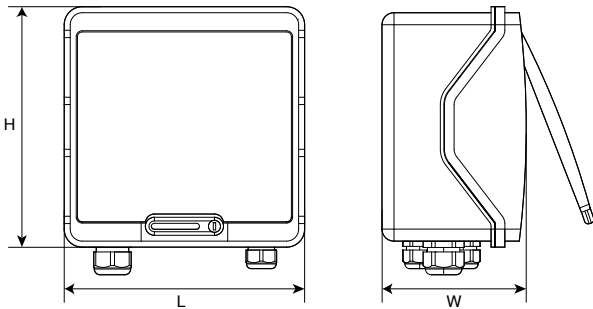
Input voltage range (nominal)	195-265 VAC/50Hz
Output voltage (nominal)	12 VDC
Output current (nominal)	1.25 A
Efficiency	0.8
Isolation	3000 VAC

SWITCHBOARD - TECHNICAL SPECIFICATIONS

Dimensions (L x W x H)	200 x 115.6 x 200 mm
Weight	XX g
Box	Wall mount with screw
Working temperature	-15 °C — +55 °C
Storage temperature	-25 °C — +85 °C

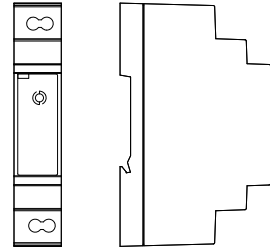
TECHNICAL FEATURES

Enclosure



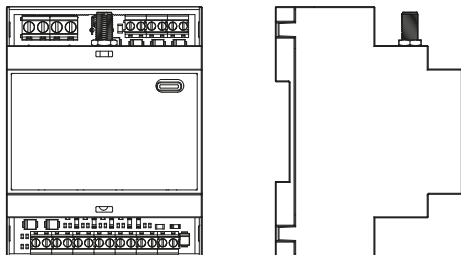
Dimensions (L × W × H)	200 × 115.6 × 200 mm
Box	Screw fixing on wall
Working temperature	-15 °C – +55 °C
Storage temperature	-25 °C – +85 °C
Cable glands	1 M20 × 1.5 2 M16 × 1.5

ps150



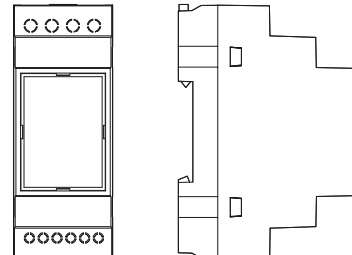
Input voltage range (nominal)	195-265 VAC/50Hz
Output voltage (nominal)	12 VDC
Output current (nominal)	1.25 A
Efficiency	0.8
Isolation	3000 VAC

we151 | we152



Power source	9-32 VDC
Inputs	2 Analog inputs 0-5 VDC 0-10 VDC 0-20 mA 4-20 mA NTC 4 Digital inputs (dry contacts) Mode: Counter On/Off Hour meter Flow meter
Outputs	2 Relay outputs (1 A 230 VAC / 30 VDC)
Port	USB Type-C (only for configuration)
Consumption	average 500 mA, peak 2 A
Connectivity	WE151 - Integrated LTE modem LTE (2600-2100-1800-900-850-800 MHz) GSM (900-1800 MHz) WE152 - Integrated Wi-Fi module WiFi: 2.4 GHz (b/g/n)

ups150



Input voltage range (nominal)	195-265 VAC/50Hz
Output voltage (nominal)	12 VDC with network 9V without network
Output current (nominal)	1.25 A with network 0.5 A without network
Efficiency	0.8
Isolation	3000 VAC
Battery	1 battery Li-Po 3.7 V 850 mAh