



tp100 tp200

TOUCH DISPLAY

TP100 and TP200 are part of Nethix touch panels' family. They are compatible with WE500+ and any other Modbus device, they allow to visualize all Modbus variables in real-time.

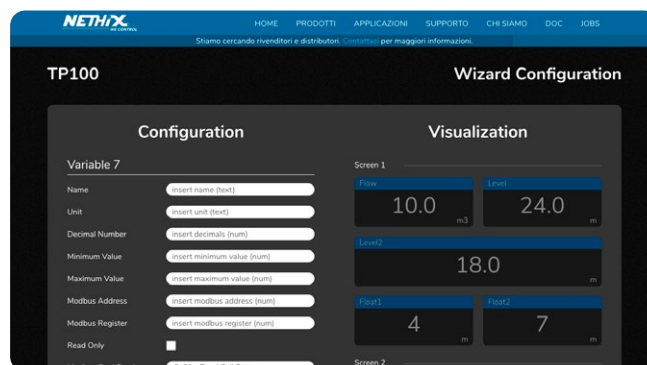
TP100/TP200 acquire the status of the signals, coming from the devices connected to the communication bus, and show them on the display through a user-friendly interface.

They also allow to display the trend of the signals over time on real-time diagrams and highlight possible alarm situations.

Operators can then interact in real-time, changing status and value of the parameters and set-points, and turning on and off the connected devices if required.

TP100 and TP200 are developed to grant an easy installation and integration with any electrical panel. Nethix touch panels are weather-resistant and suitable to be deployed even in critical environments.

JUST ONE CLICK



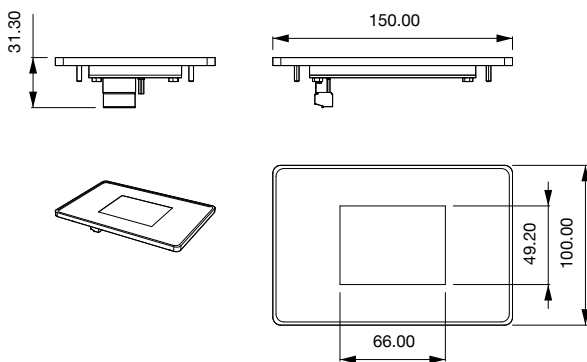
The configuration of TP100/TP200 is very easy: it's possible to enter the configuration wizard through any web-browser; on the wizard it's possible to set the registers to be acquired and show or adjust the position on display, thanks to a preview available in real-time.

Once the configuration is completed, it's possible to download the generated file and transfer it to the TP100/TP200 via USB, without need of using any additional Software or driver on the PC.

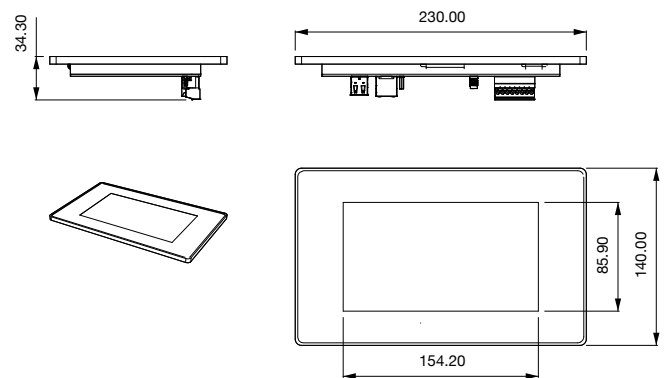
MAIN FUNCTIONS

- Visualization of Modbus variables
- Management of up to 20 variables
- Customizable layout of the pages
- Configuration upload through USB-C
- Web based free wizard for the device configuration
- Auto page-rotation with configurable timing
- TCP(TP200) and RTU Modbus Client with configurable polling-time
- Alarm visualization in case of threshold-crossing
- Stand-by display for energy saving

tp100



tp200



TECHNICAL FEATURES

Power supply	12-24 VDC
Enclosure	Aluminium case
Dimensions (L × W × H)	150 × 100 × 31.3 mm
Weight	195 g
Ports	1 RS232 /RS485 selectable 1 USB Type-C port
Protection rate	IP67 (with o-ring)
Working temperature	-20 °C – +70 °C
Storage temperature	-30 °C – +80 °C

DISPLAY FEATURES

Touch type	Capacitive
Display size	66 × 49.2 mm
Resolution	320 × 240 pixel

TECHNICAL FEATURES

Power supply	12-24 VDC
Enclosure	Aluminium case
Dimensions (L × W × H)	230 × 140 × 34.3 mm
Weight	597 g
Ports	1 RS232 /RS485 selectable 1 USB Type-C port 1 RJ-45 LAN 10/100 Mbps
Protection rate	IP67 (with o-ring)
Working temperature	-20 °C – +70 °C
Storage temperature	-30 °C – +80 °C

DISPLAY FEATURES

Touch type	Capacitive
Display size	154.2 × 85.9 mm
Resolution	1024 × 600 pixel

Technical data and features of product and services on this document are preliminary and subject to change without notice

CODE	PRODUCT	DESCRIPTION
90.21.010	TP100	Touch display 3.2"
90.21.020	TP200	Touch display 7"