

# T-ANTENNA

## OMNIDIRECTIONAL MULTIBAND

Ideal both for indoor and outdoor applications. It's designed and manufactured with specific plastic materials, that make it weather-resistant.

It covers the frequencies of GSM 900/1800, UMTS, WLAN(2600) and LTE (800/2600), and grants high gain performance, allowing a fast and stable reception.

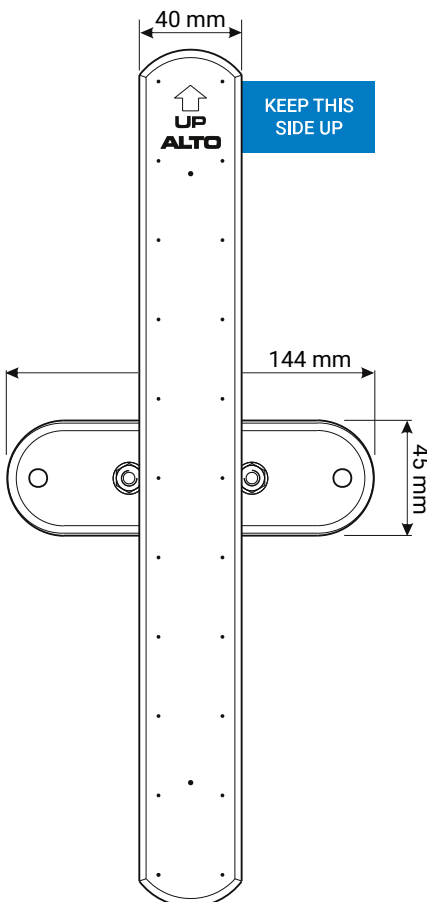
It can be mounted on wall or mast. An SMA low loss cable is included in the packaging.

### ELECTRICAL DATA

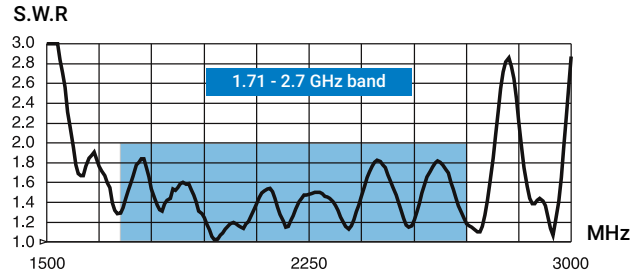
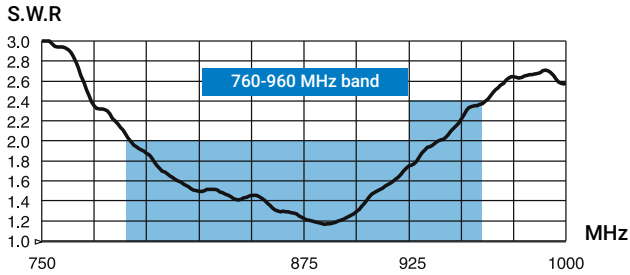
Type	Multi Band Dipole Array
Frequency range	790-960 MHz (GSM 900 e LTE 800) 1710-1880 MHz (GSM 1800) 2.4-2.7 GHz (WLAN e LTE 2600)
Impedance	50 $\Omega$
Polarization	Linear vertical
Radiation(H-plane)	360° Omnidirectional
Radiation (E-plane)	Beamwidth @ -3dB (see diagrams)
Radiation angle deg.	0°
Gain	5 dBi (GSM 900/1800 e LTE 800) 6 dBi (UMTS) 5÷6 dBi (WLAN e LTE 2600)
Max power (CW) @ 30 °C	20 Watt (GSM 900 e LT800) 10 Watt (GSM1800 e UMTS) 6 Watt (WLAN e LTE)
Cable	5 m - Low Loss
Connector	SMA male

### MECHANICAL DATA

Materials	Galvanized steel Thermoplastic UV stabilized Grey RAL7035
Wind load @ 150 km/h	36 N
Wind resistance	200 km/h
Wind surface	0.02 m <sup>2</sup>
Operating temperature	-40 °C – + 80 °C
Dimensions	335 x 166 x 144 mm with brackets
Weight	350 gr
Installation	Mast : $\varnothing$ 25-42mm with U-bolt (included) Wall: mounting screw (not included)

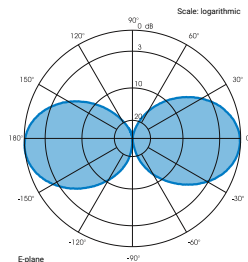


## S.W.R. RESPONSE

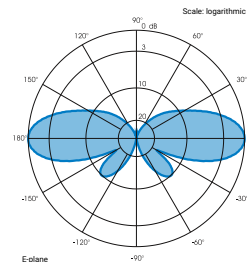


## E-PLANE

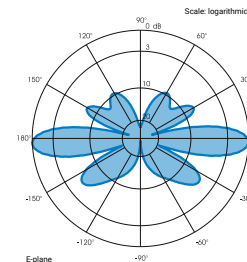
TYPICAL RADIATION PATTERN in E-plane at 875 MHz



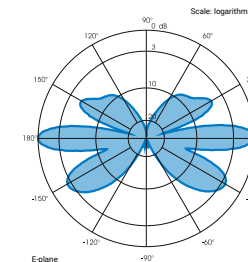
TYPICAL RADIATION PATTERN in E-plane at 1795 MHz



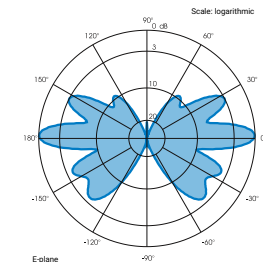
TYPICAL RADIATION PATTERN in E-plane at 2045 MHz



TYPICAL RADIATION PATTERN in E-plane at 2442.5 MHz

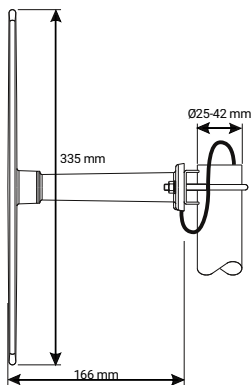
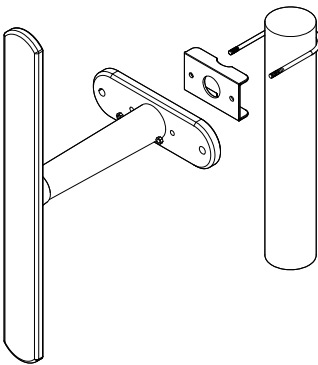


TYPICAL RADIATION PATTERN in E-plane at 2500 MHz

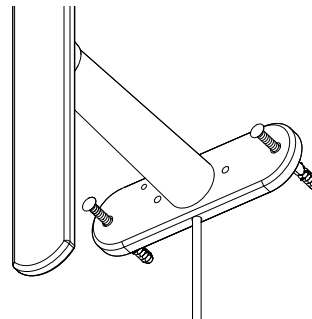
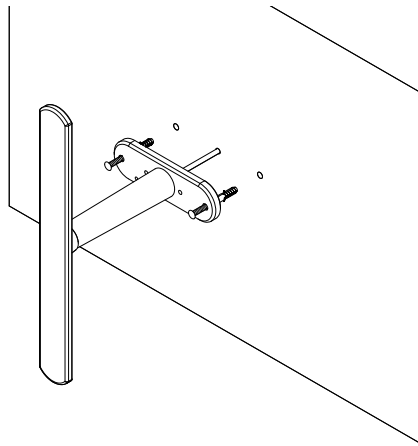


## MOUNTING INSTRUCTIONS

### MAST MOUNTING



### WALL MOUNTING



### PART LIST

1	Steel bracket
1	M6x180 U-bolt
2	M6 flast washer
2	M6 lock washer
2	hexagonal nut

In the wall mounting is recommended to drill a hole in the wall for the best cable fixation.

For the external cable fixation use the bracket hole to avoid cable damages/ bending.

### CODE

90.90.034

### PRODUCT

T-Antenna

### DESCRIPTION

GSM/GPRS/UMTS/LTE/Wi-Fi flat wall mount omnidirectional high gain antenna