

IIoT GATEWAY for IP68 applications



we500+^{HD}

STILL WE500+, BUT HEAVY DUTY

WE500+HD is designed for those, who need a high performance gateway, programmable and expandable, but at the same time robust, waterproof and suitable for application in the most critical environments.

Its form factor makes it the best solution for application in the automotive. WE500+ HD, combined with an external antenna, make the geographical coordinates available, thus allowing the geolocalization of the plant at any time: this function makes WE500+ HD the ideal solution for the management of mobile plants or fleets of vehicles.

The signals collected from the field can be logged on the internal memory or forwarded to Nethix Cloud (or to any third party platform) through the several standard protocols as MQTT, Modbus RTU and TCP/IP, FTP and HTTP; this makes WE500+ HD compatible with any other IIoT system.

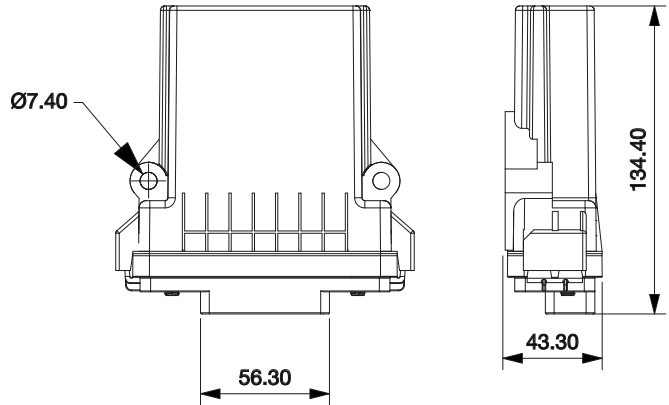
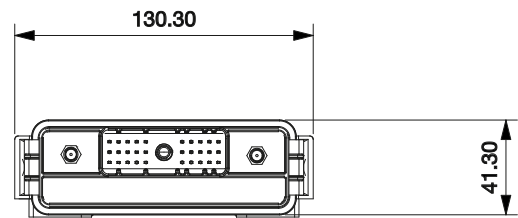
Through the VPN it's also possible to enter remotely the device's interface in order to read the plant's status in real-time and change the internal settings and operational logic.

APPLICATIONS

- Automotive
- Fleets of mobile vehicles
- Control of cranes and mobile platforms
- Central-Pivot irrigation systems
- Gensets monitoring
- Boat equipment monitoring
- Trucks load-data management
- Farm machinery monitoring

TECHNICAL FEATURES

Power supply	9-32 VDC
30 pins connector	1 GPS port 1 Serial port RS232 1 Serial port RS485 2 Relay outputs (1 A 230 VAC / 30 VDC) 2 Analog inputs 0-5 VDC 0-10 VDC 0-20 mA 4-20 mA NTC 8 Digital inputs (dry contact) Mode: Counter On/Off Hour meter Flow meter
Ports	USB Type-C
Consumption	Average 500 mA, peak 2 A
Dimensions (L x W x H)	130.3 x 134.4 x 41.3 mm
Weight	318 g
Working temperature	-15 °C – +50 °C
Storage temperature	-25 °C – +85 °C
Protection grade	IP68



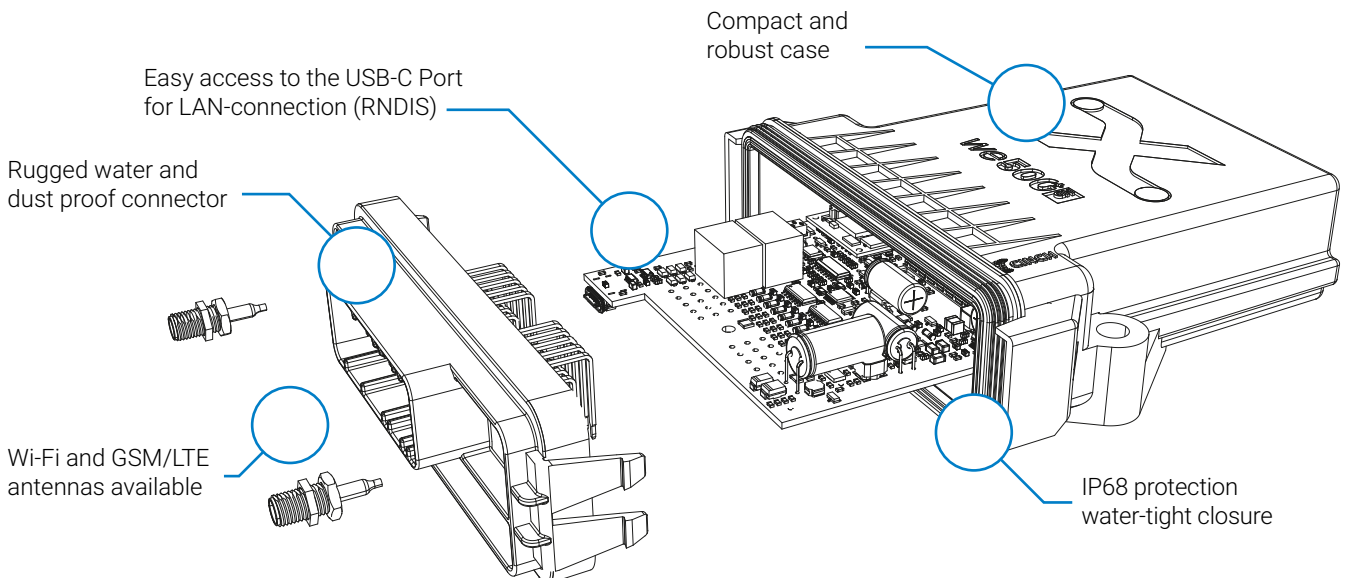
MAIN FUNCTIONS

- Input/Output monitoring and control
- Modbus Client/Server RTU/TCP
- Modbus/MQTT Gateway
- Integrated Web-Server
- Scheduler
- Datalogger
- Remote Software Upgrade
- Backup/Restore Configuration

- Users and Groups on more levels
- Advanced events management
- Alarm sending via SMS, EMAIL, CHAT
- Command sending via SMS, EMAIL, CHAT
- Real-time graphs
- Geolocalization
- VPN

DATA DELIVERY

- Nethix Cloud
- Email report
- Chat
- HTTP/HTTPS
- MQTT/MQTTS
- FTP/FTPS
- Dropbox



The here described data and features are not to be considered definitive and can be modified without prior notice.

CODE

90.17.001

PRODUCT

WE500+ HD

DESCRIPTION

IIoT gateway for IP68 applications